

## MINI style optical receiver

Model: YT-8684-2N

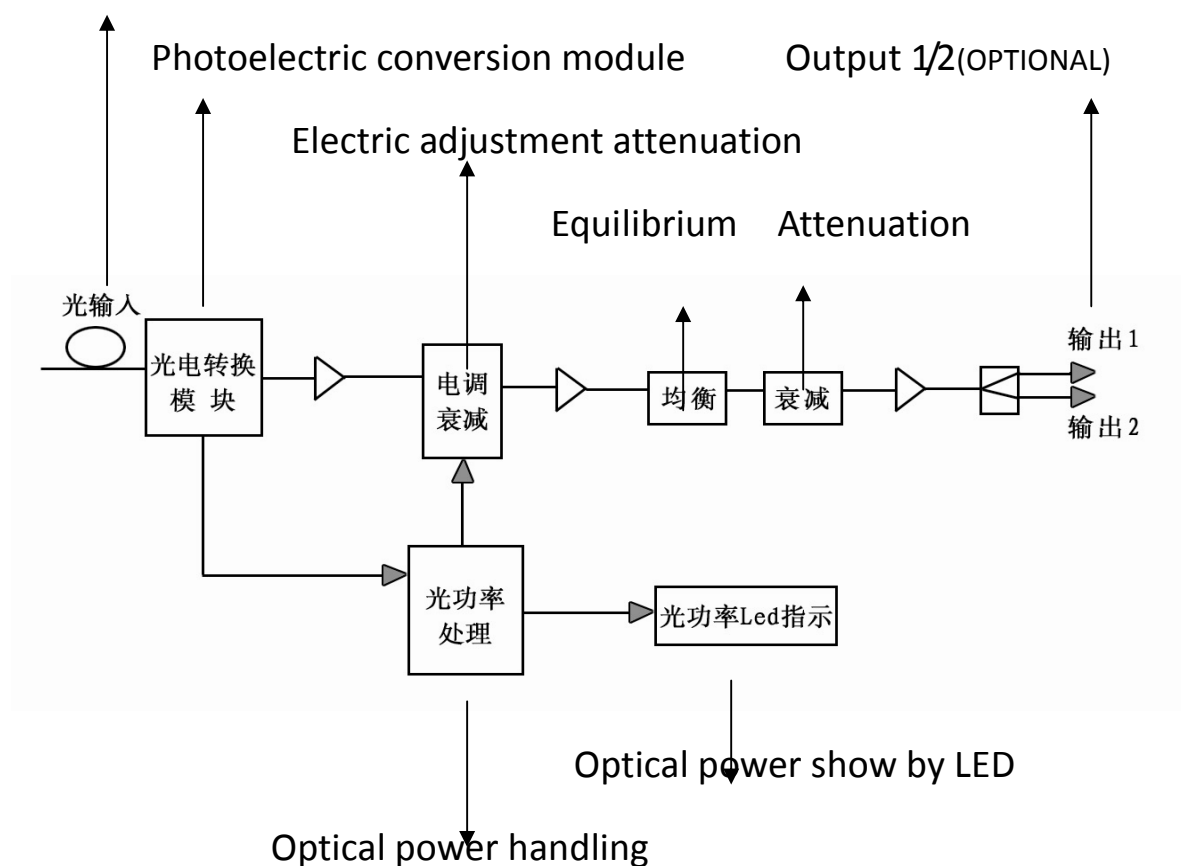


### I Product overview

- (1) Standard optical receiving, low noise amplification, high level output, good (C/N、CTB、CSO) index
- (2) Widely used for HFC broadband internet
- (3) High quality tensile aluminum alloy shell, good shielding effect, stable performance, good quality for cost
- (4) FTTB, making network easier, lower cost and higher quality

### II Technical characteristic: (AGC style)

Optical input



# TUOLIMA

---

1. high quality pin modular tube
2. Downlink signal gallium arsenide double power output template, high indicator output.
3. Power source and control circuit are equipped with protection circuits. Design of low power consumption, make the equipment more stable.
4. LED display, sensitivity 1dBm, easier to debug.
5. Optical control AGC circuit, input optical power is +1dBm~-8dBm, output level will not change

## III Technical parameters

### Optical characteristic

performance	unit	Index
Input optical power	dbm	-8~+1
Suggest input optical power	dbm	-4~0
Optical reflection loss	db	≥45
Optical receiving wavelength	nm	1100-1600
Optical fiber connector		SC/APC
Fiber type		Single mode

### Link characteristic

performance	unit	Index
C/N	db	≥51
CSO	db	≥63
CTB	db	≥66

### RF characteristic

performance	unit	Index
In-band flatness	db	±0.7547-750/860Mhz
Output level	dbuv	≥95
Output return loss	db	≥16
Output impedance	Ω	75

### General characteristic

performance	unit	Index
Power supply voltage	V	AC:160V~220V
Power waste	W	≤10
Outline dimensions	mm	130*80*35
weight	kg	0.22

Our company products have been examined by SARFT and are proven to meet the requirements of SARFT.