

YT8684-2M Outdoor Type Optical Receiver Specification

1、 Overview:

YT8684-2M Optical Receiver caters to standard optical power or ultra-low optical power receiving, low-noise amplification, high level output technology, good (C/N、CTB、CSO) property, high-quality aluminum tensile alloy shell, good shielding effect, stable performance, cost-efficiency. It applies to HFC network and it can realize FTTH, make network easier, lower cost and higher quality.

2、 Application:

YT8684-2M Optical Receiver is an equipment to convert optical signal to RF signal, with amplification function to achieve transmission of image, sound and data signal.

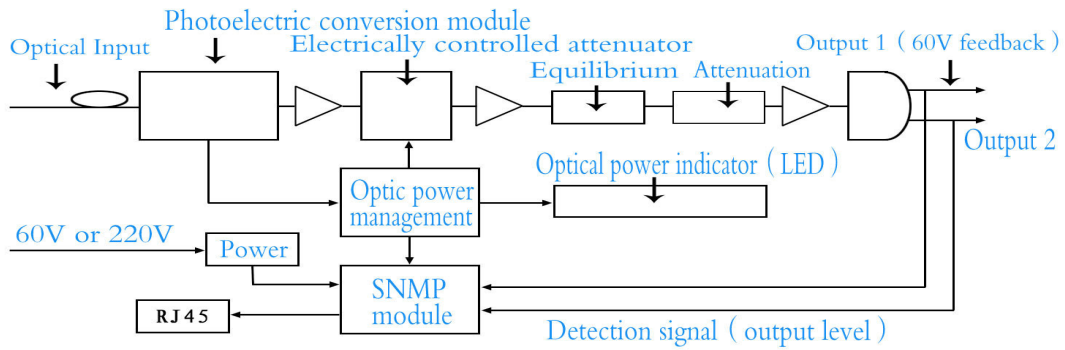
3、 Technical Feature:

- (1) Exclusive use good quality modular PIN tube.
- (2) Downlink signal gallium arsenide dual power output template, high output indicators, output level can be adjusted.
- (3) Protection circuit is equipped for power supply and control circuit, with low-power consumption design, more stable and reliable for the equipment.
- (4) Input optical power displayed with LED, sensitivity 1dBm, convenient for debugging.
- (5) Unique optical control AGC circuit, making the output optical power unchanged when input level is between +2 dBm to -8dBm, C \ CTB, C \ CSO is also basically unchanged.
- (6) It can add network management function, caters to GB/T20030-2005 standard, and it can monitor the working station, power voltage, output level and receiving optical power.

4、 Installation Precautions:

- (1) Fiber APC connector has optical output, during repair, avoid eye contact with the connector.
- (2) Optical connector should be clean, clean it by anhydrous alcohol before connection.
- (3) Add AC voltage stabilizer to where voltage fluctuation is large.
- (4) Waterproof measures should be taken outdoors.
- (5) Lightning protection facilities should be equipped in the installation position, the shell should be well grounded.

5、Diagrammatic Layout:



6、YT8684-2M outdoor optical receiver Parameters:

Optical Parameters:		
Item	Unit	Parameters
Input Optical Power	dBm	-8~+2
Recommended Input Power	dBm	-4~0
Optical Return Loss	dB	≥45
Input Optical wavelength	nm	1100-1600
Optical connector type		FC/APC or SC/APC
Fiber Type		Single-mode
Link parameters		
Carrier to Noise Ratio C/N	dB	≥51
(C/CSO)	dB	≥63
(C/CTB)	dB	≥66
RF Parameters		
Frequency Range	MHz	47-750/860
Flatness In Band	dBm	±0.75-750/860MHz
Output Level	dBuV	≥106(optical control AGC Range:-8~+2)
Output reflection	dB	≥16
Output Impedance	Ω	75
Comprehensive parameters		
Power Voltage	V	AC: 160V~220v 50-60Hz
Power consumption	W	≤10
Dimensions	MM	220×140×100
Weight	Kg	0.7

7. After-sale Service

The products in our company have been examined by SARFT, and adopted by the professional QC detection of Quality Supervision Department for insuring the quality.

If there's something wrong when using, please check the power, optical connector and cable end in good contact.